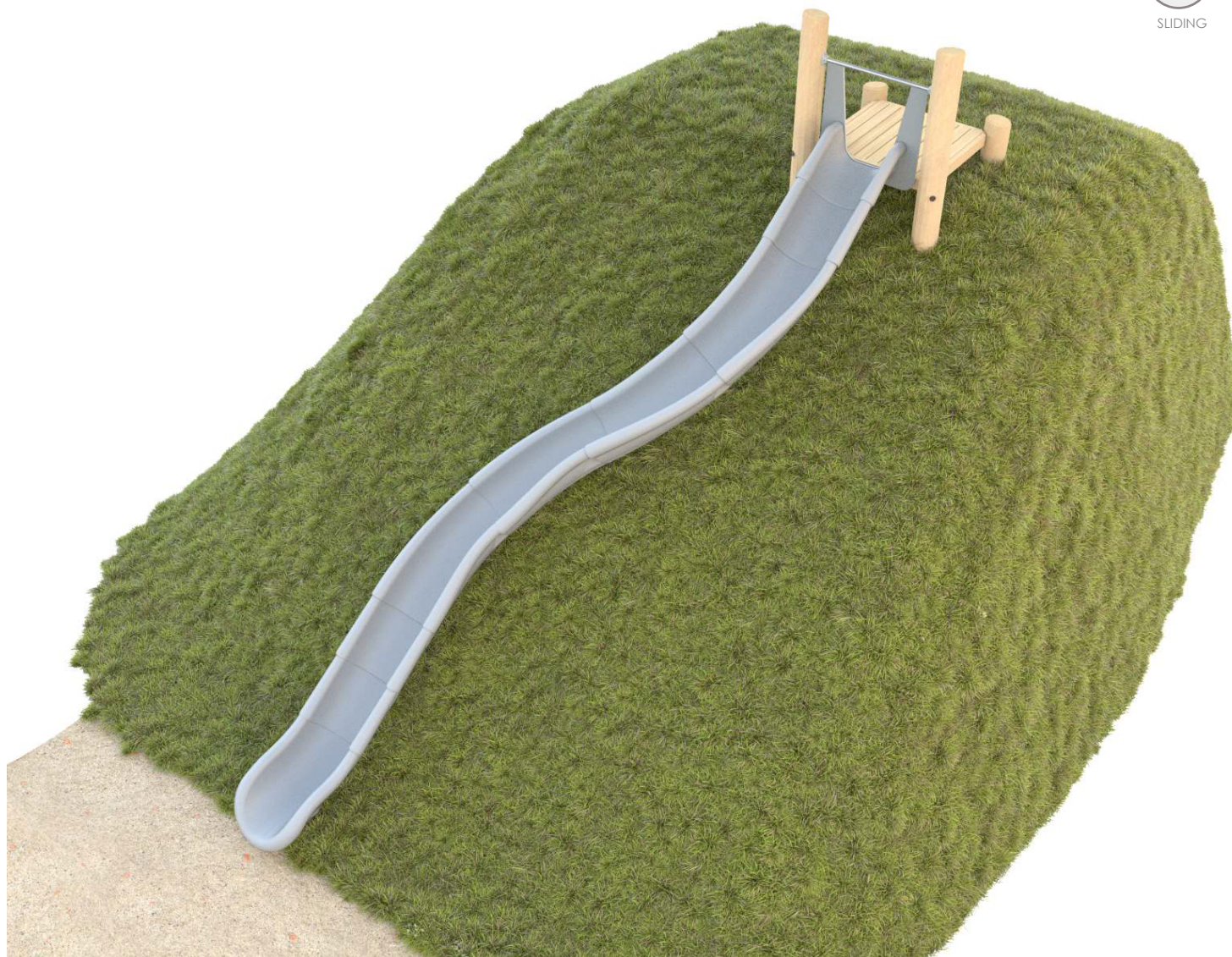




SOCIALIZING



SLIDING

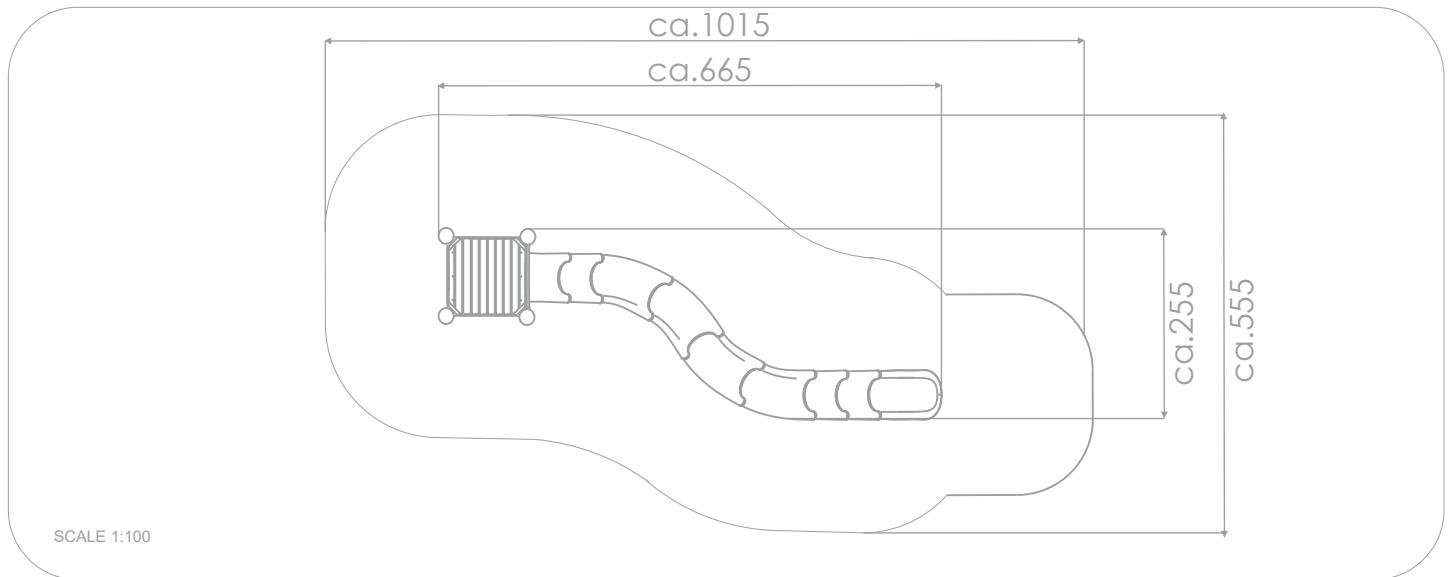


INFORMATION ABOUT THE PRODUCT

Dimensions	ca.665 x 255 cm *
Safety zone	ca.1015 x 555 cm *
Overall height	ca.490 cm *
Free fall height	ca. 30 cm *
Amount of users	2 persons
Available slide heights	120, 150, 180, 210, 240, 270, 300, 330, 360, 390 cm
Product complies with EN 1176-1:2017-12	YES
Availability of spare parts	YES
Age range	3-12
<small>According to EN 1176-1:2017-12 norm, the product requires applying a safety surface according to the product's free fall height.</small>	

* dimensions refer to 390 cm high

Visualisation is for reference only, actual appearance may vary.



MATERIALS:

<p>NATURAL ROBINIA WOOD</p>	<p>SYSTEM OF CONNECTORS AND CLAMPS MADE OF STRONG ALUMINIUM ALLOY.</p>	<p>MODULAR POLYETHYLENE SLIDES MADE OF ROTOMOULDED LDPE TYPE MATERIAL</p>	<p>PLATES OF THE WALLS MADE OF GREY TRIPLE LAYERED 15 MM HDPE POLYETHYLENE</p>